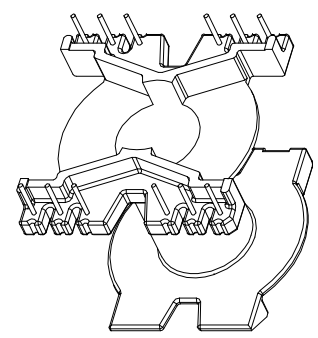
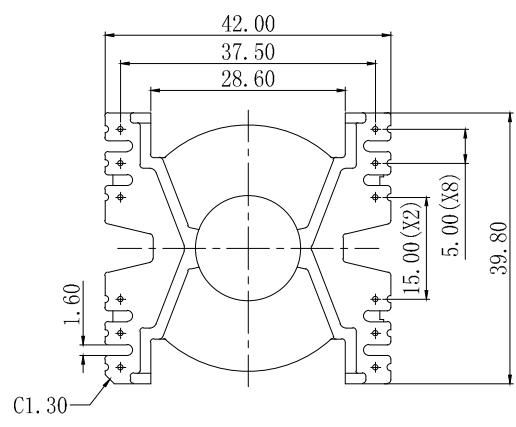
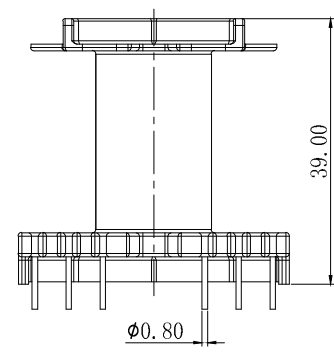
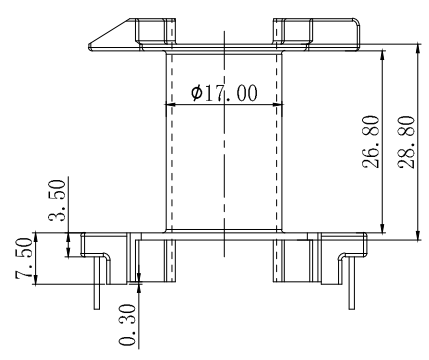
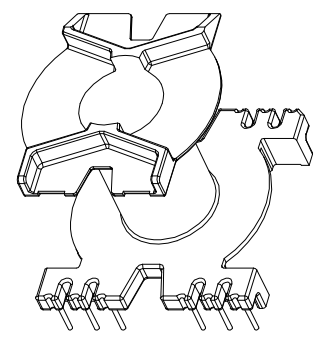
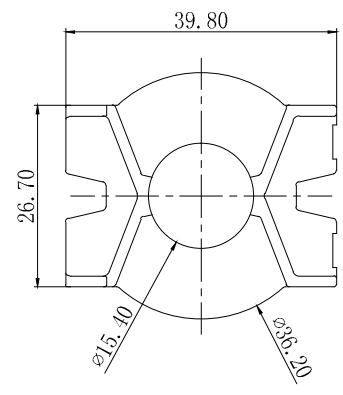


型号	PQ-4001
----	---------



深圳市金辉鼎电子科技有限公司
 地址:深圳市公明街道将石社区油麻岗19号
 0755-27658768 传真 0755-27646486

ANGLE:
+/-1°
UNIT:
mm

MODEL NAME:
PQ-40 (6+6P)

UL RECOGNITION: UL 94V-0	BOBBIN MATERIAL: PHENOLIC
-----------------------------	------------------------------

DRAFTER	张威超
---------	-----

TOLERANCES
 0<L<4 ±0.1
 4<L<16 ±0.2
 16<L<50 ±0.3
 PIN PITCH ±0.20

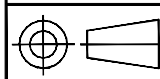
SCALE:
1/1

PIN TEN LOAD:
1.0 Kg MIN

PIN MATERIAL: CP WIRE	
--------------------------	--

CHECKER	张威超
---------	-----

DATE:
2017/07/12



DATE: 2017/07/12	DRAWING NO:	REV: 1.0
---------------------	-------------	-------------

DRAWING NO:	REV: 1.0
-------------	-------------